



Capture Contaminants Before They Enter Your Breathing Zone

Coolant-Cat's source capture design collects virtually 100% of coolant smoke and mist generated from metal finishing and forming processes. The unit can be placed directly on or adjacent to a machining center. Ease of installation and low maintenance help make the Coolant-Cat a practical and economical solution for capturing harmful contaminants.

Filtration becomes more efficient as the primary filter loads, and unlike other air cleaning technologies, the Coolant-Cat collects small, large and conductive materials. The filters are easy to replace and the media collection surface holds up to 30% more contaminant than comparable products, which means less frequent filter changes.

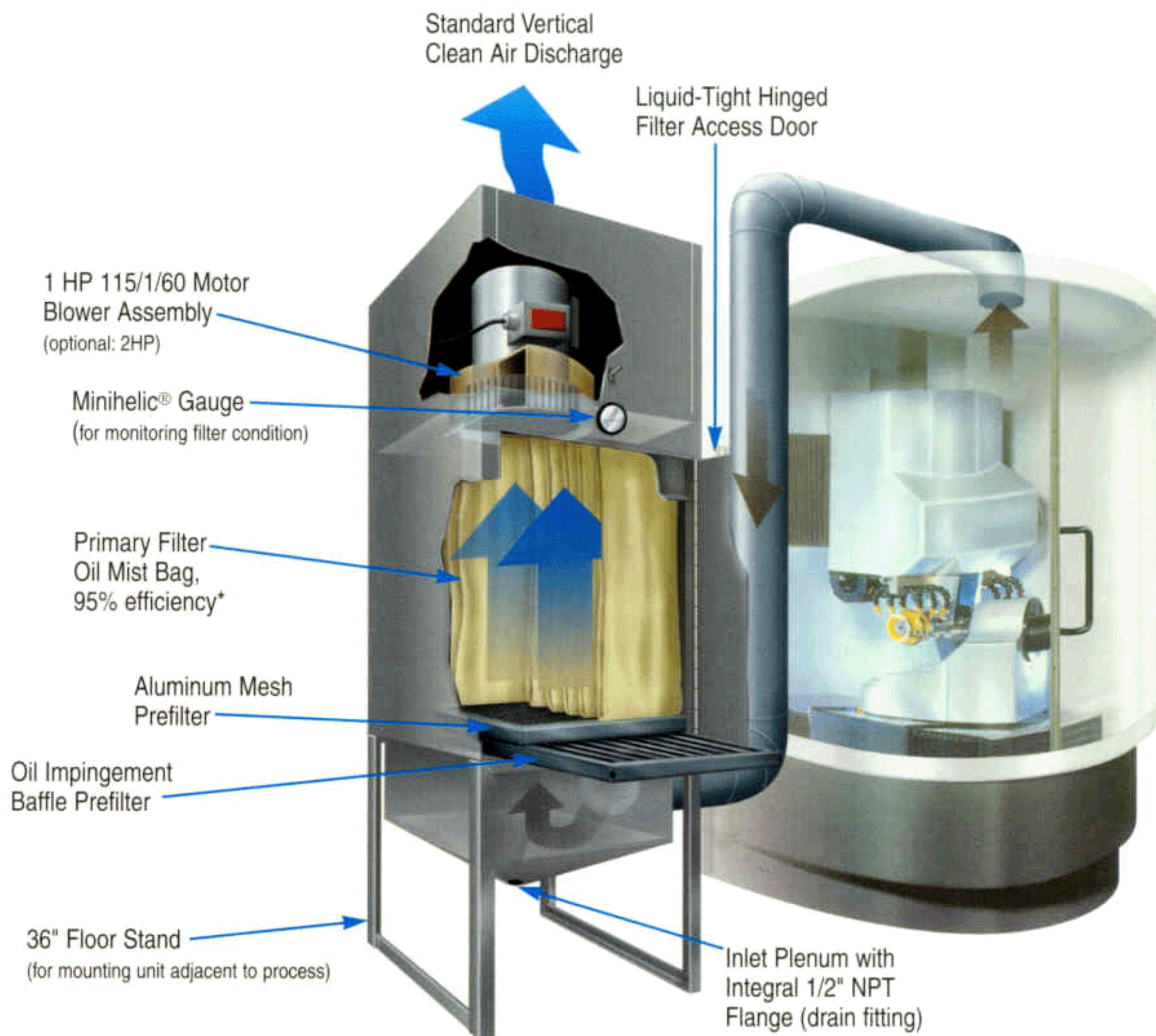
The upward airflow pattern encourages natural drop-out of large particles into the drain before they enter the primary filter. The *standard* Minihelic® Gauge shows pressure drop data, allowing the operator to visually determine filter condition and maintain peak airflow, efficiency and filter life.

The specially-designed gasketed liquid-tight filter access door prevents leakage. The inlet plenum includes an integral drain for disposal or reuse of valuable coolant. The Coolant-Cat helps meet OSHA requirements for employee health and safety by removing contaminants before they enter a worker's breathing zone.

Applications

Coolant-Cat is an ideal filtration solution for the following applications:

- ~ Boring
- ~ CNC Machines
- ~ Drilling
- ~ Hobbing
- ~ Lathes
- ~ Milling
- ~ Quenching
- ~ Rolling
- ~ Screw Machines
- ~ Stamping/Drawing
- ~ Threading
- ~ Transfer Machines
- ~ Turning Centers
- ~ Wet Cutoff Saw
- ~ Wet Grinding



Specifications

Cabinet Dimensions: 60 3/8" H x 26 1/2" W x 24 1/2" D

Weight: 275 lbs. actual; 425 lbs. shipping

Construction: 16 gauge polyurethane painted steel cabinet

Airflow: 1,000 - 1,500 CFM

Prefilters: 24" x 24" x 2" oil impingement baffle filter, and 24" x 24" x 2" aluminum mesh prefilter

Primary Filter: 24" x 24" x 29", 8-pocket, 95% average efficiency* special oil mist bag filter, 90 sq. ft. of media. Bag filter includes special oil resistant liners for handling oil collection and drainage.

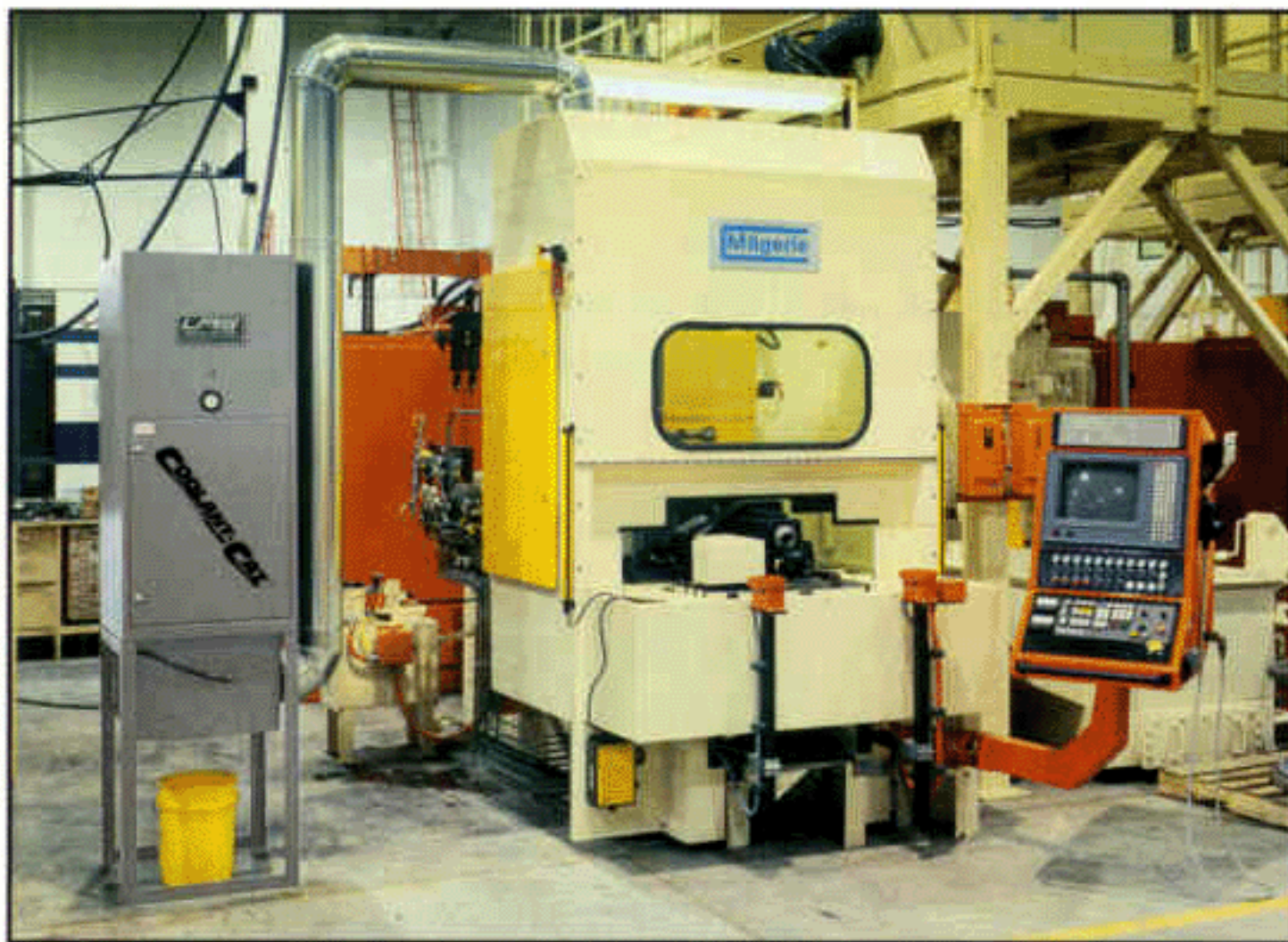
Motor: 1HP, 115/1/60

Controls: On/Off switch on cabinet, 10' power cord

Oil Drain: 1/2" NPT on bottom of inlet plenum

Filter Access: side load, liquid-tight hinged door

Filter Monitor: 0 - 5" Minihelic® Gage



Coolant-Cat Principle of Operation

The Coolant-Cat vertical oil mist and smoke collector is designed for capturing pollutants directly at the source. Oil or coolant mist and smoke laden air is drawn through the inlet plenum making a 90° turn prior to entering the first filtration stage, allowing for drop-out of large particles. Any collected oil is then released through the oil drain at the bottom of the inlet plenum. The first filtration stage removes droplets and large particles through an oil impingement baffle prefilter that stops these particles from circulating further through the filtration cycle. The second stage is an aluminum mesh prefilter that collects fine droplets and smaller particles. Both filters in the first and second stage can easily be removed and cleaned for reuse. At the third stage, a 29" deep extended surface oil bag filter rated at 95% efficiency* collects the smaller and submicron particles. Clean air is then discharged back into the workspace through the top outlet of the Coolant-Cat unit.

*All efficiencies per ASHRAE Standard 52.1-92

United Air Specialists, Inc. reserves the right to change design or specifications without notice.

©1995 United Air Specialists, Inc.



Options

Primary Filter:

- ~ 95% oil bag – 22", 8-pocket, 66 sq. ft. of media
- ~ 65% oil bag – 29", 8-pocket, 90 sq. ft. of media
- ~ 65% oil bag – 22", 8-pocket, 66 sq. ft. of media
- ~ HEPA 99.97% – 6"
- ~ Carbon – 6", 36 lbs.

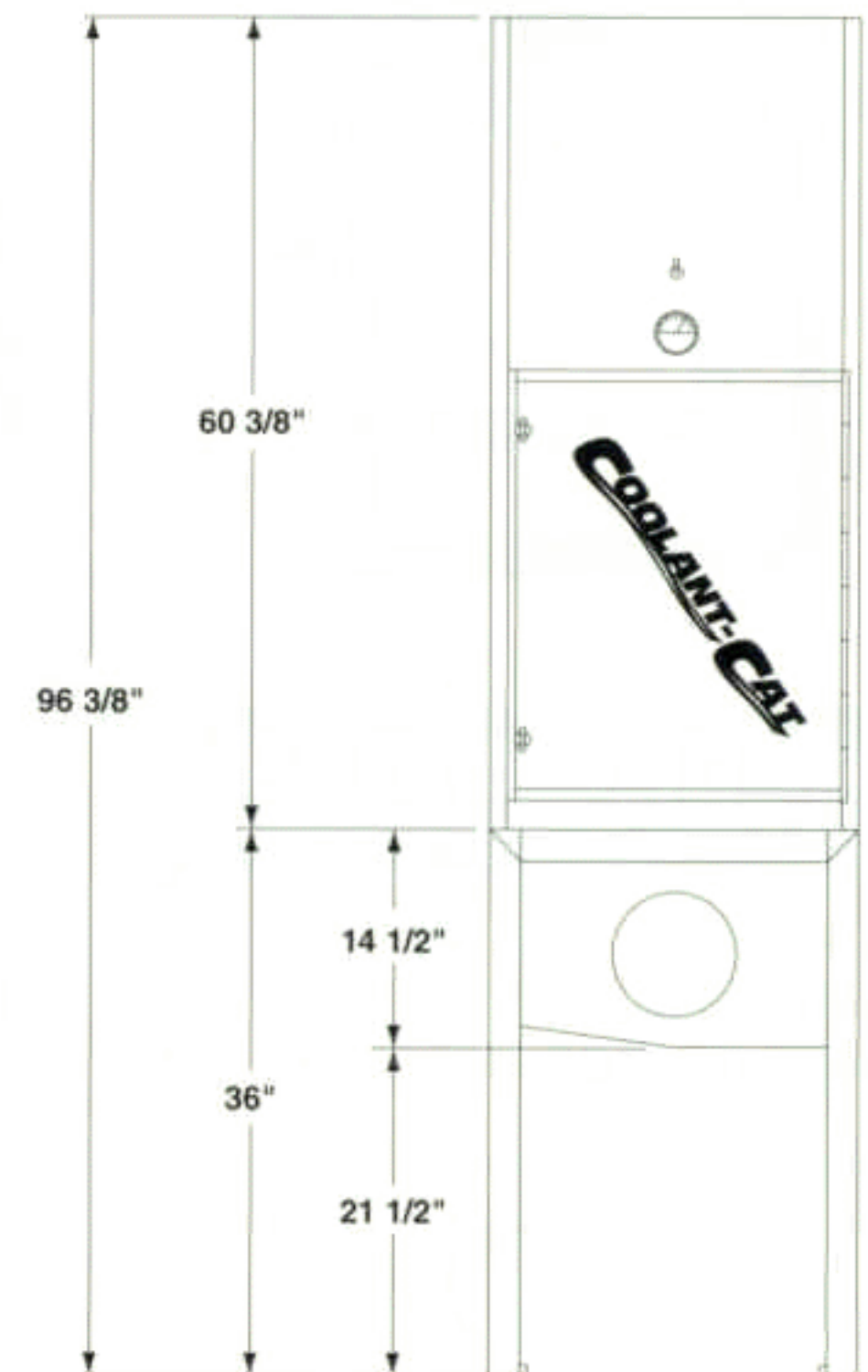
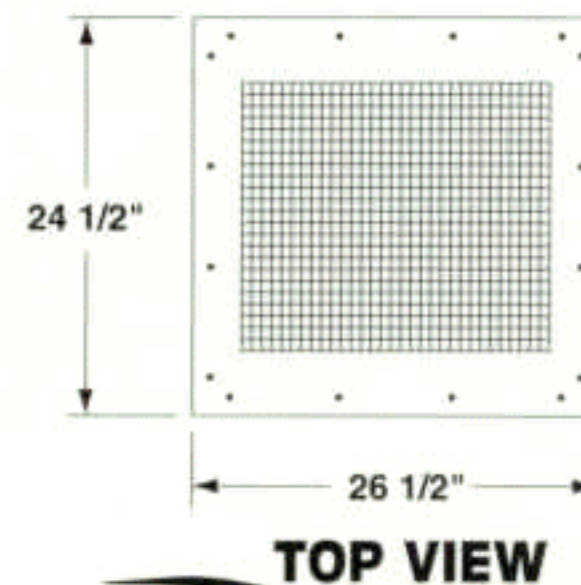
Inlet Plenum: 6", 8", 10" or 12" Inlet Collar

Motor:

- ~ 1HP, 3-phase Motor
- ~ 2HP, 3-phase Motor

Accessories:

- ~ 22" H - Machine Mounting Stand
- ~ 36" H - Floor Stand
- ~ Ceiling Mounting Brackets
- ~ Drain Loop Trap Assembly
- ~ Drain Bottle (For 36" Stand Only)
- ~ Adjustable Outlet Grille



FRONT VIEW

(Dimensions for 36" stand shown)

UAS
UNITED AIR SPECIALISTS, INC.
a CLARCOR company

4440 Creek Road • Cincinnati, OH 45242-2832
National Phone: 800-992-4422
Phone: 513-891-0400 • Fax: 513-891-4882

<http://www.uasinc.com> • coolantcat@uasinc.com

An ISO 9001 Certified Company

COGB 0898 5M CBP